

Product datasheet

Specifications



Flat screen, Harmony GTU, 15 W Touch Smart Display FWXGA

HMIDT752

Main

Range of product	Harmony GTU
Product or component type	Flat screen
Terminal type	Touchscreen display
[Us] rated supply voltage	12...24 V DC power supply
Supply voltage limits	10.8...28.8 V
Power consumption in W	17 W
Inrush current	30 A

Complementary

Integrated connection type	USB 2.0 type A USB 2.0 type mini B
Touchscreen resolution	2048 x 2048
Pixel resolution	1366 x 768
Display size	15.6 inch
Aspect ratio	4:3
Display type	Colour TFT LCD
Display resolution	1366 x 768 pixels FWXGA
Display colour	16 million colours
Backlight lifespan	50000 hours
Touch panel	Multi-touch projected capacitive technology (PCT) 50000000 cycles
Function available	Brightness sensor
Type of cooling	Natural convection
Type of installation	Indoor installation
Cut-out dimensions	396 (+ 1/- 0) x 277 (+ 1/- 0) mm
width	414 mm
Height	295 mm
Depth	69 mm
Net weight	5 kg

Environment

IP degree of protection	Front panel: IP66 Front panel: IP67
-------------------------	--

NEMA degree of protection	NEMA 4X front panel
Standards	UL 508 ANSI/ISA 12-12-01 Class I division 2 CSA C22.2 No 213 CSA C22.2 No 142 IEC 61132-2
Product certifications	KC CE RCM CULus UKCA UKEX
Ambient air temperature for operation	0...55 °C conforming to IEC 61131-2
Ambient air temperature for storage	-20...60 °C
Relative humidity	10...90 % non-condensing
Operating altitude	2000 m
Vibration resistance	3.5 mm constant amplitude (f = 5...9 Hz) conforming to IEC 61131-2 9.8 m/s ² (f = 9...150 Hz) conforming to IEC 61131-2
Shock resistance	147 m/s ² conforming to IEC 61131-2
Electromagnetic compatibility	Electrostatic discharge immunity test level 3 conforming to IEC 61000-4-2

Packing Units

Unit Type of Package 1	PCE
Number of Units in Package 1	1
Package 1 Height	17.000 cm
Package 1 Width	42.000 cm
Package 1 Length	52.500 cm
Package 1 Weight	5.474 kg
Unit Type of Package 2	P12
Number of Units in Package 2	14
Package 2 Height	90.000 cm
Package 2 Width	80.000 cm
Package 2 Length	120.000 cm
Package 2 Weight	99.836 kg

Environmental Data

Schneider Electric aims to achieve Net Zero status by 2050 through supply chain partnerships, lower impact materials, and circularity via our ongoing “Use Better, Use Longer, Use Again” campaign to extend product lifetimes and recyclability.

[How this information helps you >](#)

Environmental footprint

Carbon footprint (kg.eq.CO2 per CR, Total Life cycle)	987
---	------------

Environmental Disclosure	Product Environmental Profile
--------------------------	---

Use Better

Materials and Substances

Packaging made with recycled cardboard	Yes
--	------------

Packaging without single use plastic	No
--------------------------------------	-----------

EU RoHS Directive	Pro-active compliance (Product out of EU RoHS legal scope)
-------------------	---

SCIP Number	F7bde1f0-e6bc-4b91-91d2-88584de513eb
-------------	---

REACH Regulation	REACH Declaration
------------------	-----------------------------------

China RoHS Regulation	China RoHS declaration
-----------------------	--

Use Again

Repack and remanufacture

Circularity Profile	End of Life Information
---------------------	---

WEEE



The product must be disposed on European Union markets following specific waste collection and never end up in rubbish bins

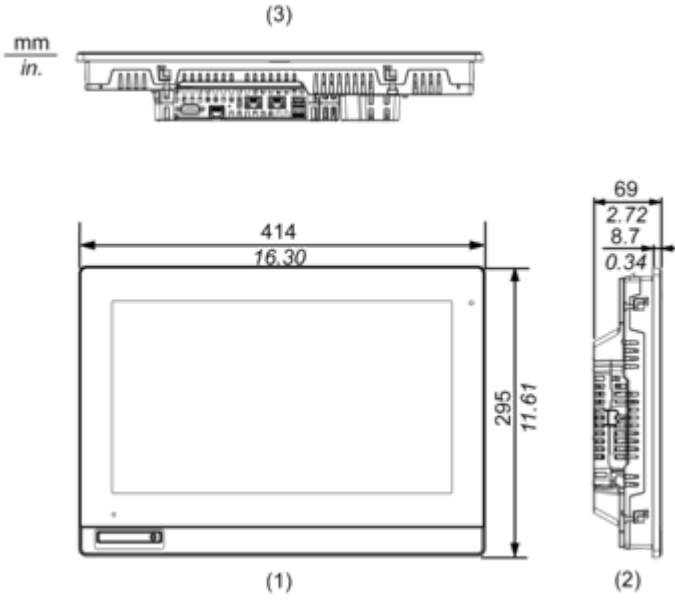
Take-back

No

Dimensions Drawings

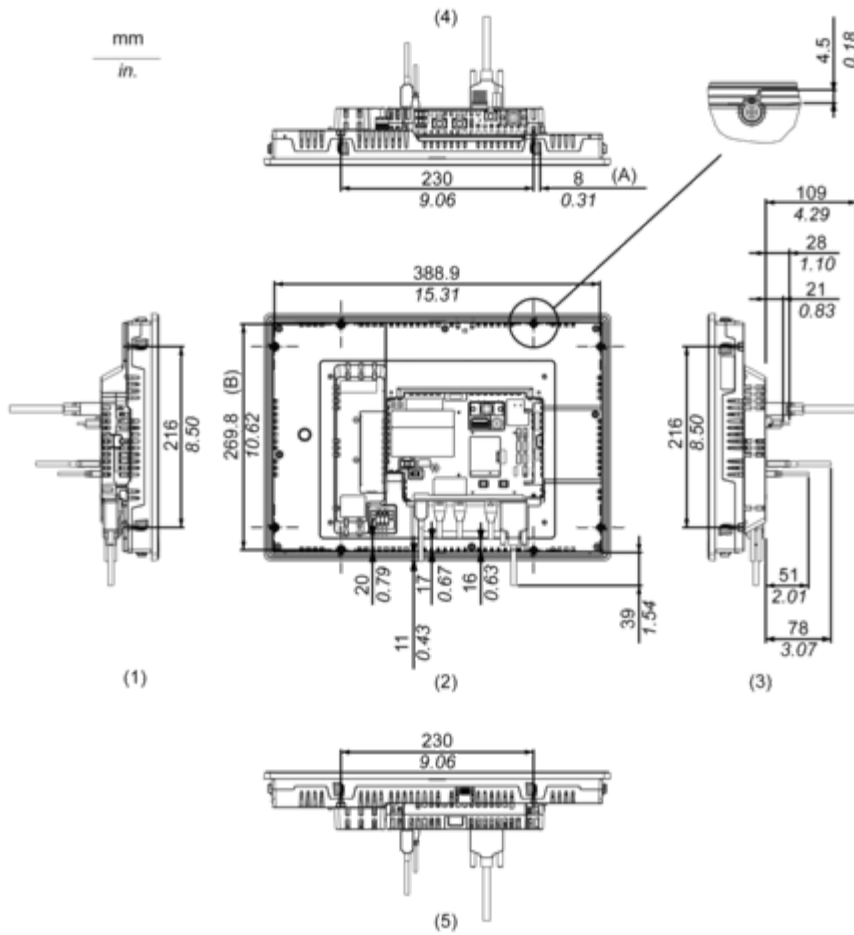
External Dimensions

Display Unit with Box Module



- (1) Front
- (2) Left
- (3) Bottom

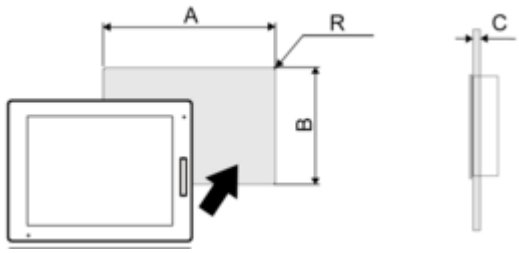
Installation with Installation Fasteners and Dimensions with Cables



- (A) Rotation area of the fastener
- (B) Pitch of the center of installation fastner screws
- (1) Right
- (2) Front
- (3) Left
- (4) Bottom
- (5) Top

Mounting and Clearance

Panel Cut Dimensions



Dimensions in mm

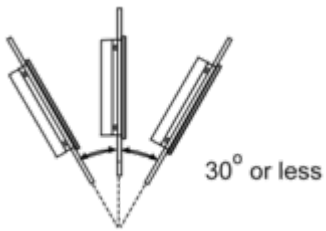
A	B	C	R
396 (+1/-0)	277 (+1/-0)	1.6...5	3 max.

Dimensions in in.

A	B	C	R
15.59 (+0.04/-0)	10.91 (+0.04/-0)	0.06...0.2	0.12 max.

Installation Requirements

Mounting Angle



When installing this product in a slanted position with an incline more than 30°, the ambient temperature must not exceed 40 °C (104 °F). You may need to use forced air cooling (fan, A/C) to ensure the ambient operating temperature is 40 °C or less (104 °F or less).

Clearance

