

# Product datasheet

Specifications



## Touch panel screen, Harmony ST6 & STW6, 15"W display, 2Ethernet, USB host&device, 24 VDC

HMISTW6700

### Main

Range of product	Harmony ST6
Product or component type	Touch panel screen
Software designation	Web interface for operator
Processor name	ARM Cortex-A8
Processor frequency	800 MHz
Memory description	512 MB device memory 512 MB backup memory 128 kB user data memory

### Complementary

Display size	15 inch
Display type	Colour TFT LCD
Display colour	16 million colours
Display resolution	1366 x 768 pixels FWXGA
Touch panel	Single touch analogue resistive
Backlight lifespan	50000 hours with white
Brightness	16 levels
Character font	ASCII ASCII (European characters) Katakana
[Us] rated supply voltage	24 V DC (+/- 20 %)
Power consumption in W	18.5 W
Inrush current	30 A
Local signalling	Status LED green, steady for offline Status LED green, steady for operating Status LED green, flashing for operating Status LED green, faded for stand-by Status LED orange, flashing for software starting up Status LED red, steady for power supply (ON) Status LED red, flashing for operating Status LED red, off for power supply (OFF)
Port Ethernet	10/100BASE
Integrated connection type	1 USB 2.0 type Aback 1 Ethernet - female RJ45bottom
Supply	External supply
Realtime clock	Built-in 0...50 °C Built-in 10...90 % RH

Disclaimer: This documentation is not intended as a substitute for and is not to be used for determining suitability or reliability of these products for specific user applications

<b>Fixing mode</b>	By 6 screws, mounting on 1.6...5 mm thick panel conforming to UL 61010-2-201 By 6 screws conforming to IEC 61131-2 By 6 screws conforming to IEC 61000-6-2
<b>Enclosure material</b>	PC
<b>Front material</b>	Aluminium
<b>Marking</b>	CE
<b>Cut-out dimensions</b>	394 x 250 mm panel cut dimension
<b>Height</b>	268 mm
<b>width</b>	412 mm
<b>Depth</b>	50 mm
<b>Net weight</b>	2.7 kg

## Environment

<b>Immunity to microbreaks</b>	10 ms
<b>Standards</b>	IEC 61000-6-4 IEC 61000-6-2 IEC 61131-2 UL 61010-2-201 CSA C22.2 No 61010-2-201
<b>Product certifications</b>	CSA CE UKCA
<b>Directives</b>	2014/35/EU - low voltage directive 2014/30/EU - electromagnetic compatibility
<b>Ambient air temperature for operation</b>	0...50 °C
<b>Ambient air temperature for storage</b>	-20...60 °C
<b>Relative humidity</b>	10...90 % non-condensing
<b>Operating altitude</b>	2000 m
<b>IP degree of protection</b>	IP20 (rear panel) conforming to IEC 61131-2 IP65 (front panel) conforming to IEC 61131-2
<b>NEMA degree of protection</b>	NEMA 4 front panel (indoor use) NEMA 13 front panel (in enclosure)
<b>Shock resistance</b>	147 m/s <sup>2</sup> for 11 ms (X, Y, Z directions for 3 times) conforming to IEC 61131-2
<b>Vibration resistance</b>	+/- 3.5 mm (f = 5...9 Hz) X, Y, Z directions for 10 cycles (approx. 100 min) conforming to IEC 61131-2 9.8 m/s <sup>2</sup> (f = 9...150 Hz)
<b>Electromagnetic compatibility</b>	Electrical fast transient/burst immunity test - test level: 2 kV (power ports) conforming to IEC 61000-4-4 Electrical fast transient/burst immunity test - test level: 1 kV (signal ports) Electrostatic discharge immunity test - test level: 6 kV (contact discharge) conforming to IEC 61000-4-2 level 3 Electrostatic discharge immunity test - test level: 8 kV (air discharge)

## Packing Units

<b>Unit Type of Package 1</b>	PCE
<b>Number of Units in Package 1</b>	1
<b>Package 1 Height</b>	5 cm
<b>Package 1 Width</b>	26.8 cm
<b>Package 1 Length</b>	41.2 cm
<b>Package 1 Weight</b>	3.53 kg

<b>Unit Type of Package 2</b>	S04
<b>Number of Units in Package 2</b>	2
<b>Package 2 Height</b>	30 cm
<b>Package 2 Width</b>	40 cm
<b>Package 2 Length</b>	60 cm
<b>Package 2 Weight</b>	7.7 kg
<b>Unit Type of Package 3</b>	P12
<b>Number of Units in Package 3</b>	32
<b>Package 3 Height</b>	110 cm
<b>Package 3 Width</b>	80 cm
<b>Package 3 Length</b>	120 cm
<b>Package 3 Weight</b>	132.96 kg

## Environmental Data

Schneider Electric aims to achieve Net Zero status by 2050 through supply chain partnerships, lower impact materials, and circularity via our ongoing “Use Better, Use Longer, Use Again” campaign to extend product lifetimes and recyclability.

[How this information helps you >](#)

### Environmental footprint

Carbon footprint (kg.eq.CO2 per CR, Total Life cycle)	1445
---	------

Environmental Disclosure	<a href="#">Product Environmental Profile</a>
--------------------------	---

## Use Better

### Materials and Substances

Packaging made with recycled cardboard	No
--	----

Packaging without single use plastic	No
--------------------------------------	----

EU RoHS Directive	Compliant with Exemptions
-------------------	---------------------------

SCIP Number	20694bec-44d9-42c3-8fdd-3861ce15e3ab
-------------	--------------------------------------

REACH Regulation	<a href="#">REACH Declaration</a>
------------------	-----------------------------------

China RoHS Regulation	<a href="#">China RoHS declaration</a>
-----------------------	--

## Use Again

### Repack and remanufacture

WEEE



The product must be disposed on European Union markets following specific waste collection and never end up in rubbish bins

Take-back

No

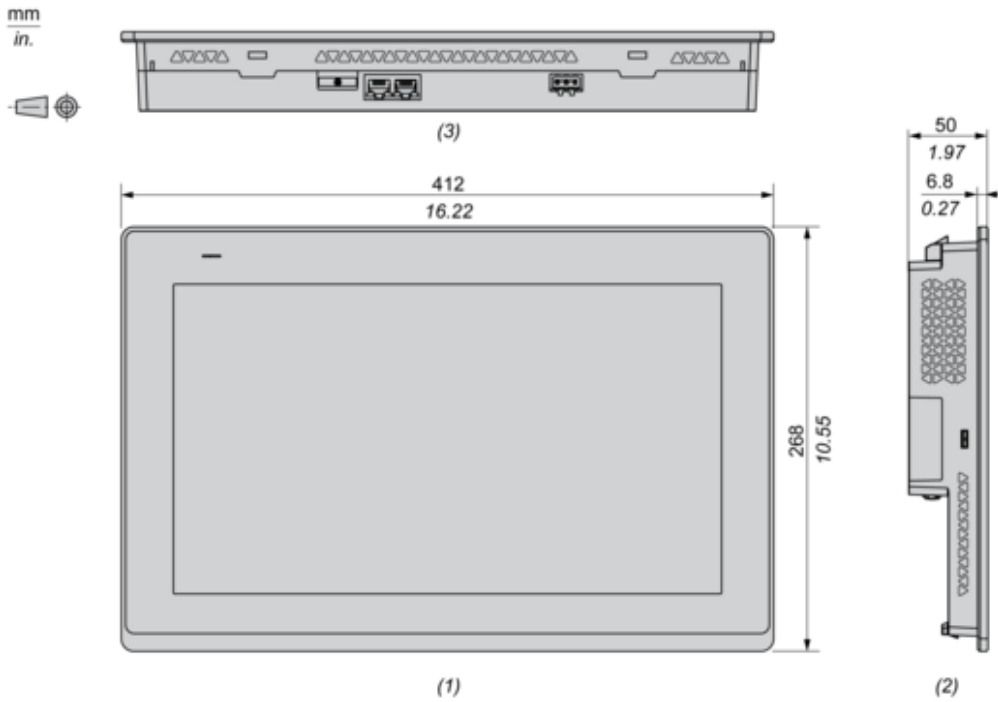
---

Dimensions Drawings

Dimensions

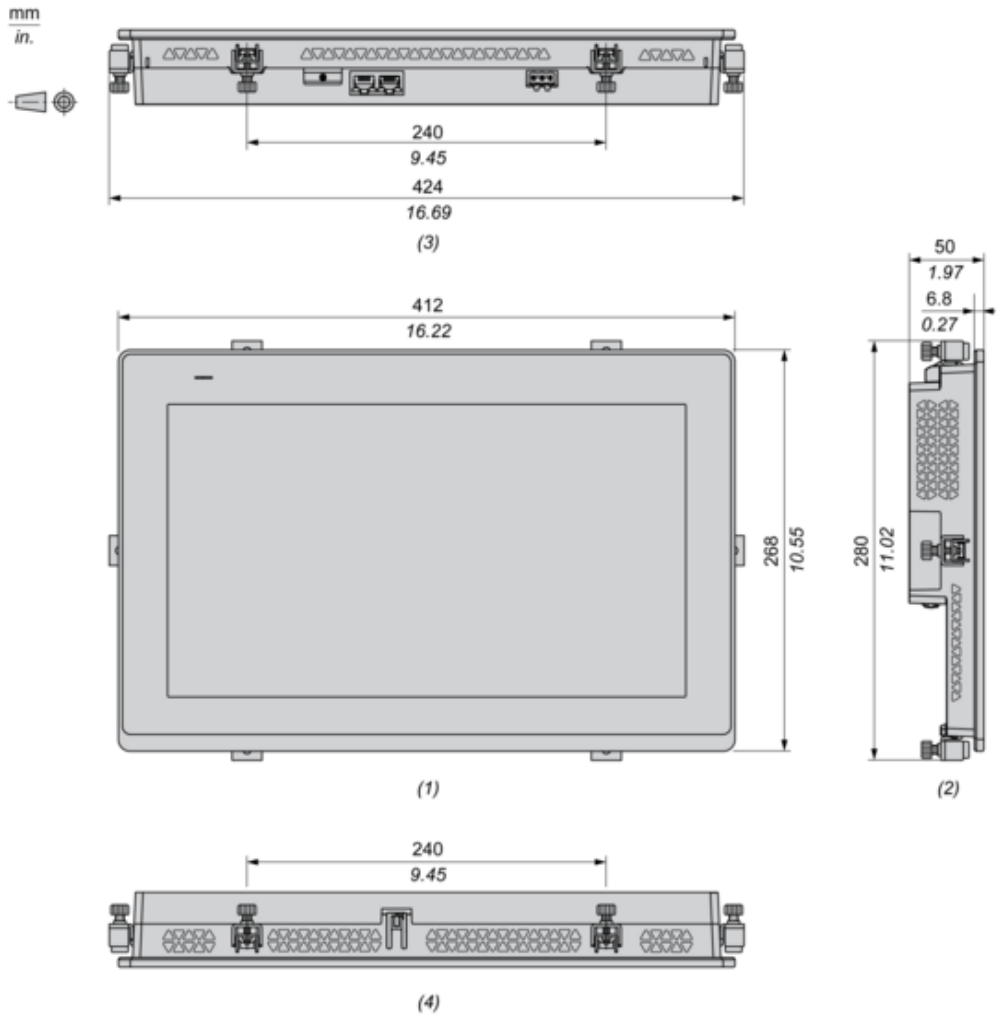
---

External Dimensions



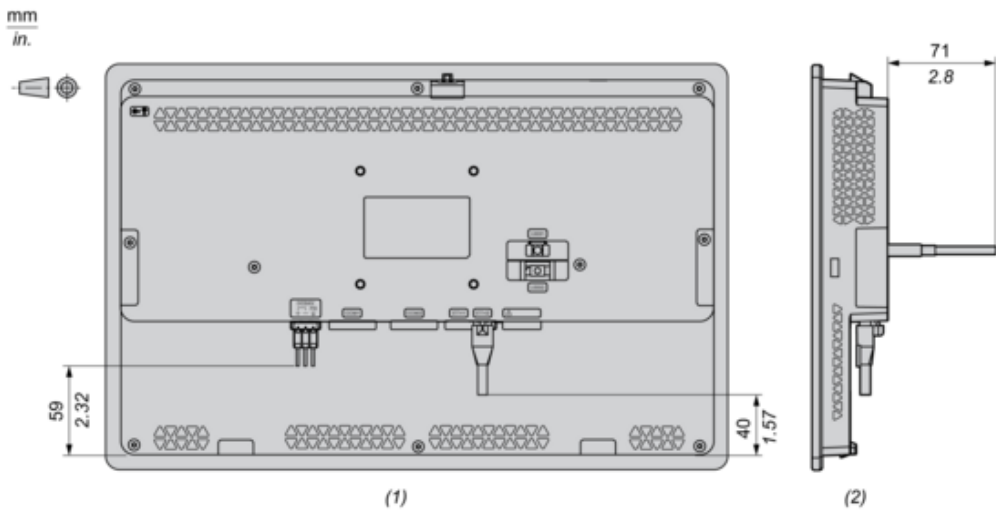
- (1) : Front
- (2) : Left
- (3) : Bottom

Dimensions with Installation Fasteners



- (1) : Front
- (2) : Left
- (3) : Bottom
- (4) : Top

**Dimensions with Cables**



- (1) : Rear
- (2) : Right



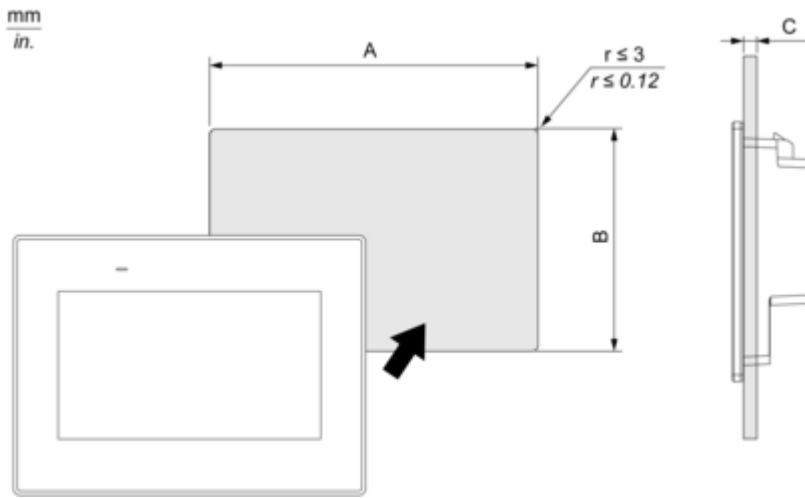


Mounting and Clearance

Mounting

---

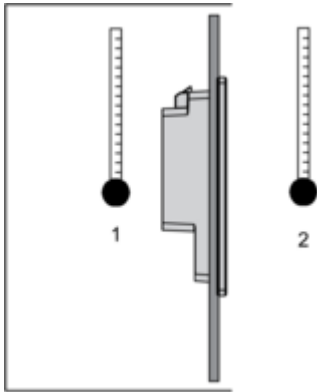
Panel Cut Dimensions



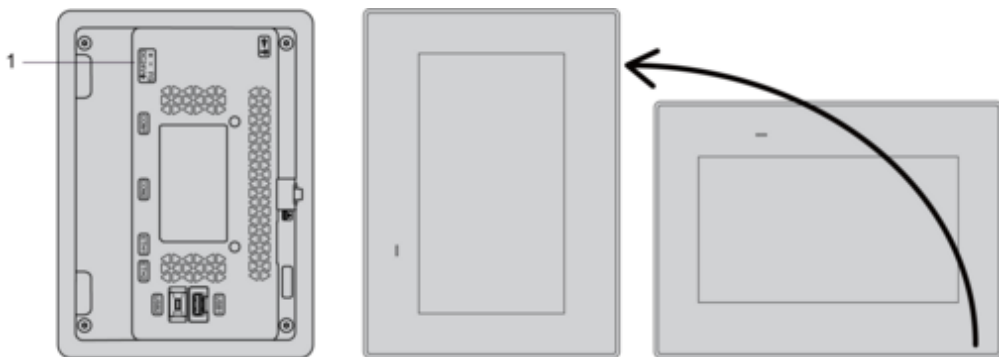
A		B		C	
mm	in.	mm	in.	mm	in.
394 (+1, -0)	15.51 (+0.04, -0)	250 (+1, -0)	9.84 (+0.04, -0)	1.6...5	0.06...0.2

Installation Requirements

---

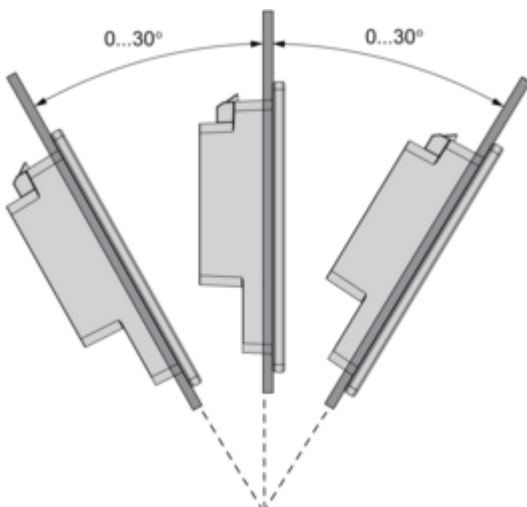


- 1 : Internal temperature
- 2 : External temperature



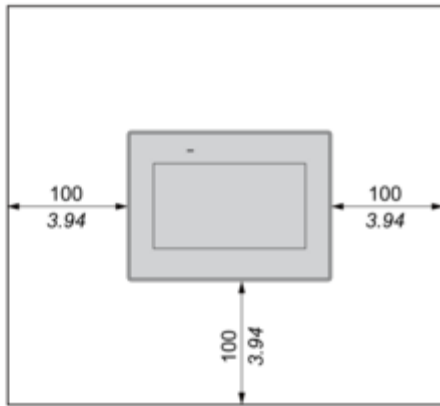
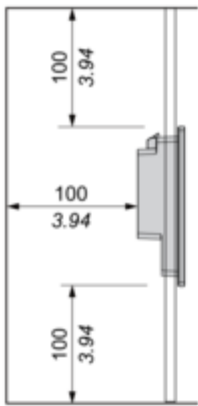
- 1 : Power connector

Mounting Angle



Clearance

mm  
in.



Offer Marketing Illustration

Product benefits / Features

---

The infographic is set against a green background. At the top center, the word "Features" is written in a large white font, with "Harmony ST6 Web HMI" below it in a smaller white font. In the center, there is a stack of four industrial HMI screens of different sizes, each displaying a green web interface. Surrounding this central stack are six feature descriptions, each with a white circular icon and a white text block. The icons include a browser window, a server rack, a bar chart, a padlock, three stars, and two hands shaking.

### Features

#### Harmony ST6 Web HMI

- Web HMI with pre-installed HTML5 browser**
- Visualize all web content of any HTTP server in industrial devices**
- Better visualization**
- Cybersecurity enhancement with secure boot**
- Simple and stylish design**
- Easy installation with tool-free fastener**

Offer Marketing Illustration

Product benefits / Features

---

## Technical Benefits

### Harmony ST6 Web HMI

