

Product datasheet

Specifications



Harmony, Miniature plug-in relay, 5 A, 4 CO, with LED, 24 V DC

RXM4NB3BD

⚠ Discontinued on: 15-Aug-2024

⚠ Discontinued

Main

Range of product	Harmony Electromechanical Relays
Series name	Miniature
Product or component type	Plug-in relay
Device short name	RXM
Contacts type and composition	4 C/O
[Uc] control circuit voltage	24 V DC
[Ithe] conventional enclosed thermal current	3 A at -40...55 °C
Status LED	With
Control type	Without lockable test button
Utilisation coefficient	20 %

Complementary

Shape of pin	Flat
[Ui] rated insulation voltage	250 V conforming to IEC
[Uimp] rated impulse withstand voltage	2.5 kV during 1.2/50 µs
Contacts material	AgNi
[Ie] rated operational current	5 A at 28 V (DC) NO conforming to IEC 5 A at 250 V (AC) NO conforming to IEC 2.5 A at 28 V (DC) NC conforming to IEC 2.5 A at 250 V (AC) NC conforming to IEC
Maximum switching voltage	250 V AC conforming to IEC 28 V DC
resistive rated load	5 A at 250 V AC 5 A at 28 V DC
Maximum switching capacity	1250 VA/140 W
Minimum switching capacity	15 mW at 3 mA, 5 V
Operating rate	<= 1200 cycles/hour under load <= 18000 cycles/hour no-load
Mechanical durability	10000000 cycles
Electrical durability	100000 cycles for resistive load depending on mounting position and working environment
average coil consumption	1.2 W, DC 1.4 VA, AC
Drop-out voltage threshold	>= 0.1 U _c

operate time	20 ms
release time	20 ms
average coil resistance	650 Ohm at 20 °C +/- 10 %
Rated operational voltage limits	19.2...26.4 V DC
Protection category	RT I
Test levels	Level A group mounting
Operating position	Any position
Net weight	0.037 kg
Device presentation	Complete product

Environment

Dielectric strength	1000 V AC between contacts with micro disconnection 1800 V AC between coil and contact 1550 V AC between poles
Product certifications	CE
Standards	EN/IEC 61810-1
Ambient air temperature for storage	-40...85 °C
Ambient air temperature for operation	-40...55 °C
Vibration resistance	3 gn, amplitude = +/- 1 mm (f = 10...55 Hz)with clip 6 gn, amplitude = +/- 1 mm (f = 10...55 Hz)without clip
IP degree of protection	IP40 conforming to EN/IEC 60529
Shock resistance	10 gn (duration = 11 ms) for without clip 30 gn (duration = 11 ms) for with clip
Pollution degree	2

Packing Units

Unit Type of Package 1	PCE
Number of Units in Package 1	1
Package 1 Height	4.6 cm
Package 1 Width	2.75 cm
Package 1 Length	2.08 cm
Package 1 Weight	35 g
Unit Type of Package 2	BB1
Number of Units in Package 2	10
Package 2 Height	3.2 cm
Package 2 Width	10.4 cm
Package 2 Length	12.6 cm
Package 2 Weight	350 g
Unit Type of Package 3	S02
Number of Units in Package 3	270
Package 3 Height	15 cm
Package 3 Width	30 cm
Package 3 Length	40 cm

Package 3 Weight 9910 g

Contractual warranty

Warranty 18 months

Environmental Data

Schneider Electric aims to achieve Net Zero status by 2050 through supply chain partnerships, lower impact materials, and circularity via our ongoing “Use Better, Use Longer, Use Again” campaign to extend product lifetimes and recyclability.

[How this information helps you >](#)

Use Better

Materials and Substances

[EU RoHS Directive](#)

Pro-active compliance
(Product out of EU RoHS legal scope)

REACH Regulation

[REACH Declaration](#)

China RoHS Regulation

[China RoHS declaration](#)

Use Again

Repack and remanufacture

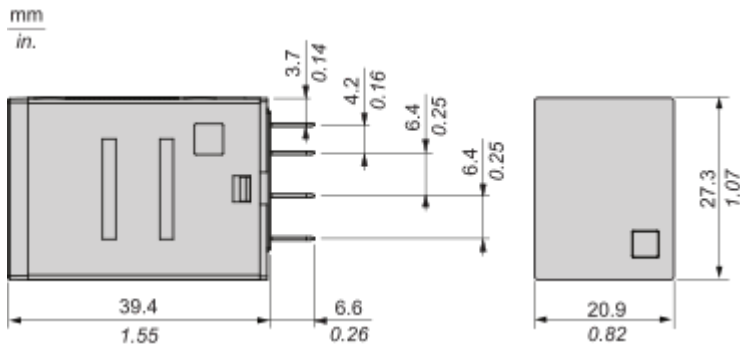
WEEE



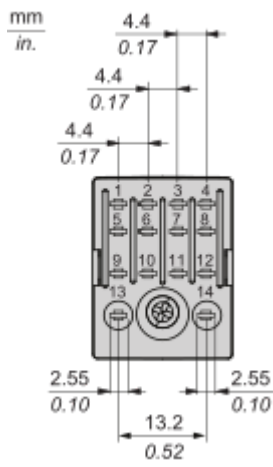
The product must be disposed on European Union markets following specific waste collection and never end up in rubbish bins

Dimensions Drawings

Dimensions



Pin Side View



Connections and Schema

Wiring Diagram

