

Product datasheet

Specifications



square green illuminated pushbutton Ø16-flush push to release 24 VDC polarised 1C/O

XB6ECF3B1P

⚠ Discontinued on: 01-Nov-2020

⚠ Discontinued

Main

Range of product	Harmony XB6E
Product or component type	Illuminated monolithic push-button
Device short name	XB6E
Bezel material	Plastic
Mounting diameter	16 mm
Sale per indivisible quantity	5
Shape of signaling unit head	Square
Type of operator	latching
Operator profile	Green flush
Contacts type and composition	1 C/O
Contact operation	Snap action
Connections - terminals	Faston connectors, connection size: 2.8 x 0.5 mm Soldered connectors
Contacts material	Gold-flashed silver
Light source	Integral LED
[Us] rated supply voltage	24 V DC polarised

Complementary

Height	18 mm
width	18 mm
Depth	40 mm
Terminals description ISO n°1	(13-14-11-12)OF
Net weight	0.006 kg
Overvoltage category	II conforming to IEC 60536
Operating position	Any position
Marking	CE
Operating force	1.3 N C/O changing electrical state
Mechanical durability	250000 cycles
Short-circuit protection	3 A cartridge fuse type gG
[Ith] conventional free air thermal current	3 A

[Ui] rated insulation voltage	250 V (pollution degree 2) conforming to IEC 60947-1
[Uimp] rated impulse withstand voltage	2.5 kV conforming to IEC 60947-1
Electrical durability	50000 cycles, DC-12, 1 A at 30 V conforming to IEC 60947-5-1 appendix C 50000 cycles, AC-12, 0.5 A at 125 V conforming to IEC 60947-5-1 appendix C 50000 cycles, AC-12, 0.5 A at 250 V conforming to IEC 60947-5-1 appendix C
Electrical reliability	$\Lambda = 10\exp(-8)$ at 5 V and 1 mA with confidence level of 90 % conforming to IEC 60947-5-4
Signalling type	Steady
Current consumption	10 mA
Service life	50000 h

Environment

Ambient air temperature for storage	-40...70 °C
Ambient air temperature for operation	-10...55 °C
IP degree of protection	IP65 conforming to IEC 60529
Standards	IEC 60947-1 IEC 60947-5-1 UL 508 JIS C 4520 CSA C22.2 No 14 JIS C 852
Product certifications	CCC cURus
Vibration resistance	1 mm (f= 5...55 Hz) conforming to IEC 60068-2-6 9 gn (f= 5...55 Hz) conforming to IEC 60068-2-6
Shock resistance	20 gn (duration = 11 ms) for half sine wave acceleration conforming to IEC 60068-2-27
Electromagnetic compatibility	Electrostatic discharge immunity test - test level: 8 kV conforming to IEC 61000-4-2

Packing Units

Unit Type of Package 1	PCE
Number of Units in Package 1	1

Contractual warranty

Warranty	18 months
-----------------	-----------

Environmental Data

Schneider Electric aims to achieve Net Zero status by 2050 through supply chain partnerships, lower impact materials, and circularity via our ongoing “Use Better, Use Longer, Use Again” campaign to extend product lifetimes and recyclability.

[How this information helps you >](#)

Use Better

Materials and Substances

EU RoHS Directive

**Pro-active compliance
(Product out of EU RoHS legal
scope)**

China RoHS Regulation

[China RoHS declaration](#)

Use Again

Repack and remanufacture

WEEE

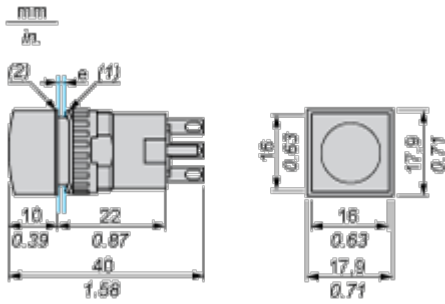


**The product must be
disposed on European Union
markets following specific
waste collection and never
end up in rubbish bins**

Dimensions Drawings

Pushbutton

Square Head



- (1) Anti-rotation plate (thickness: 0.6 mm / 0.02 in.)
- (2) Seal (thickness: 0.5 mm / 0.01 in.)
- e panel thickness: 0.5 mm (0.01 in.) ≤ e ≤ 6 mm (0.24 in.)

Mounting and Clearance

Panel Cut-Out and Mounting

Circular or Square Head

